

N0 J0080031
Version Ae02
2017.6.21

1

1.1

1.2

2

3

3.1

3.2

3.2.1

3.2.2

3.2.3

3.3

3.3.1

3.3.2

3.3.3

3.3.4

4

4.1

4.2

4.2.1

4.2.2

4.2.3

5

6

1

GB7588

egvEN81-1 1998 Safety rules for the construction and
installation of electric lifts

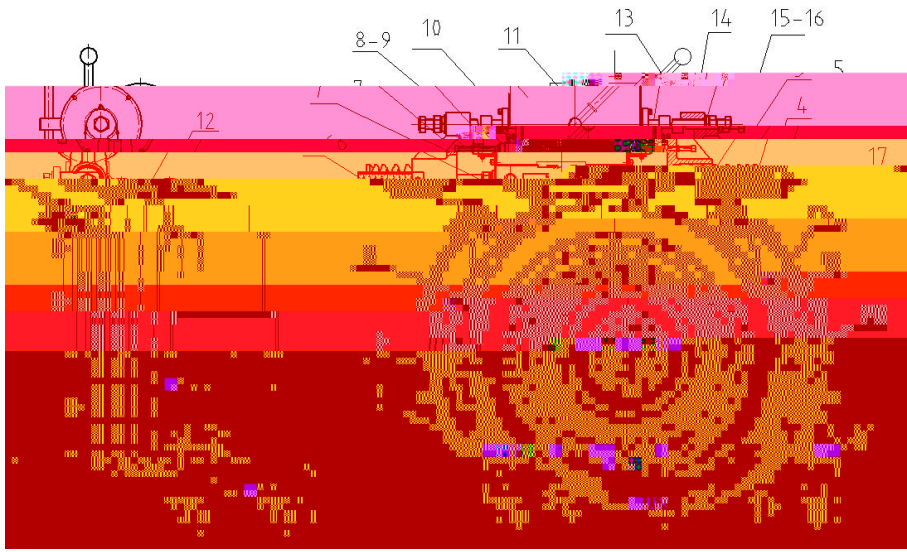
1.1



1.2



2



1		8		15	
2	()	9		16	17
3		10		17	
4		11		18	
5		12		19	
6		13		20	
7	5	14		21	

1

3

3.1

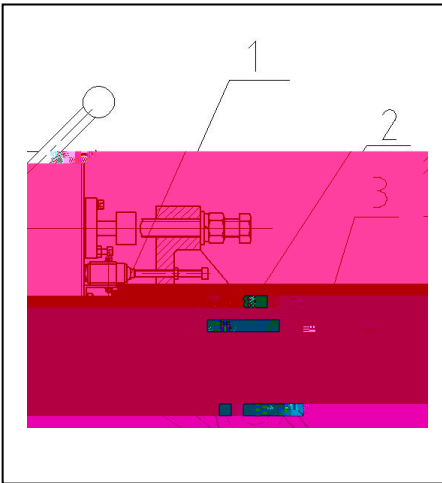


-
-

80

6

3.2
3.2.1



- 1
 - 2
 - 3
- 1

2

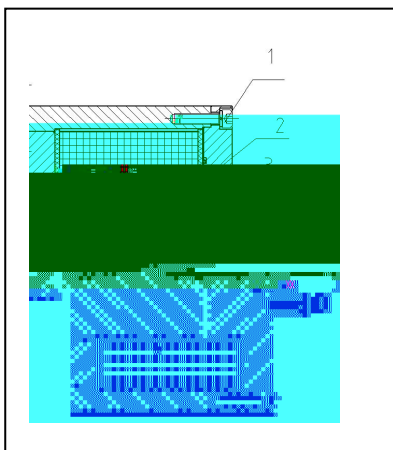


3



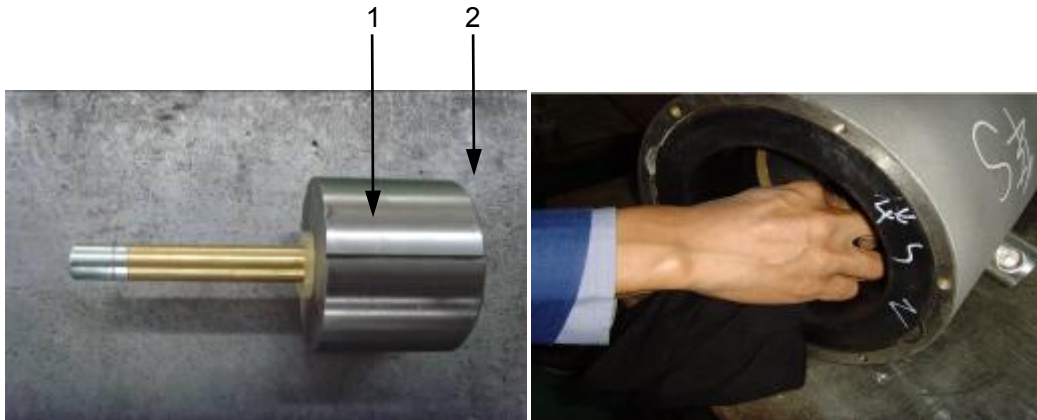
3

3.2.2

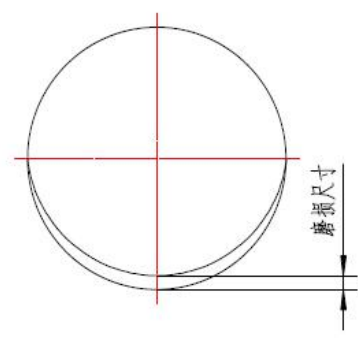
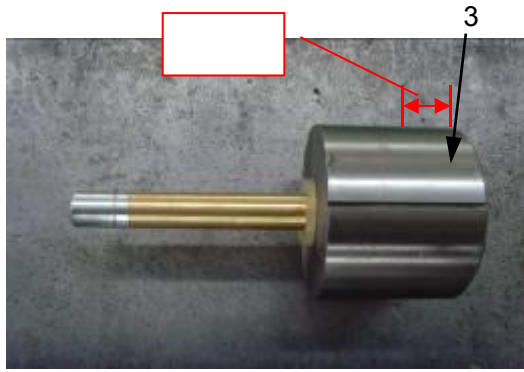


- 1
 - 2
 - 3
 - 4
- 1
- 3

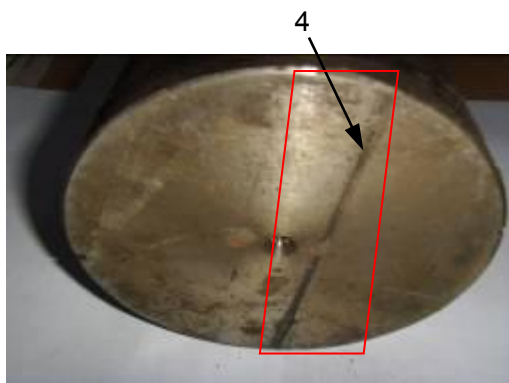
3.2.3



5 6
1 2 6



7 8
3 7 15mm 70%
b 180 8 0.6mm 0.6mm
c



8

4

8

5



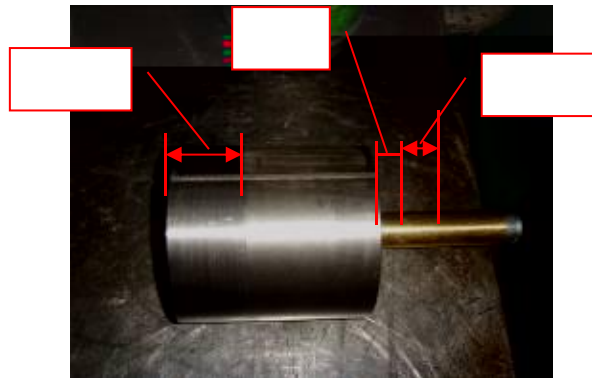
9

10

5

Permatex 680

10



12

6

12 30mm

12 15mm

0.05mm



3.3

3.3.1

3.2.1

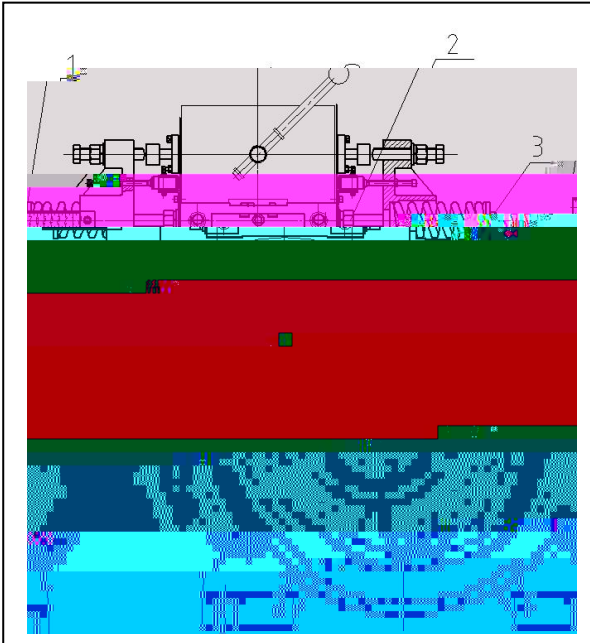


3.3.2



•

•



1		1
	1~1.5	
2		2,3
3		
4		
	3mm	3.3.3
5		4.2.3
6		

3.3.3

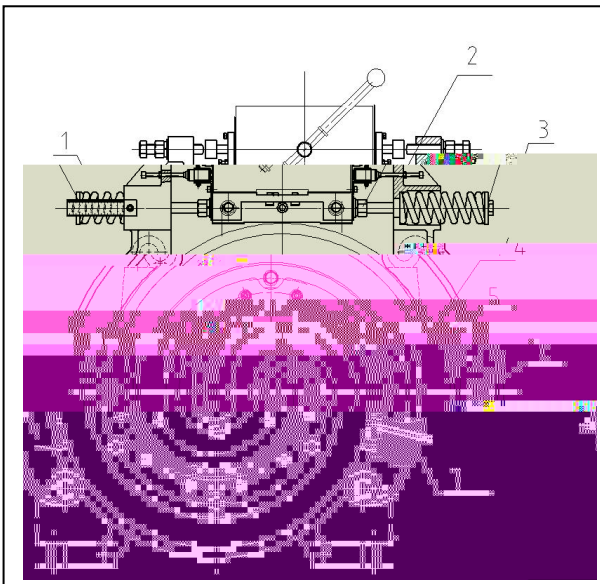


•

•

6mm

3mm



1		1
	1~1.5	
		2,3
2		
3		7

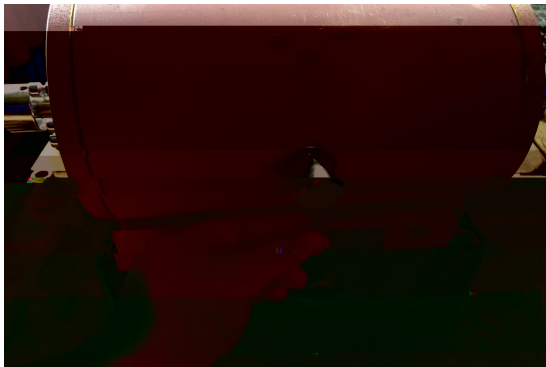
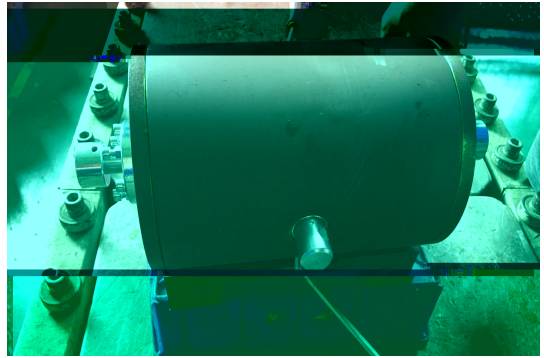
4

6

5

4.2

3.3.4



1

2 M5

3

4

5

6

7

4

4.1



4.2

4.2.1



4.2.3

0.2mm

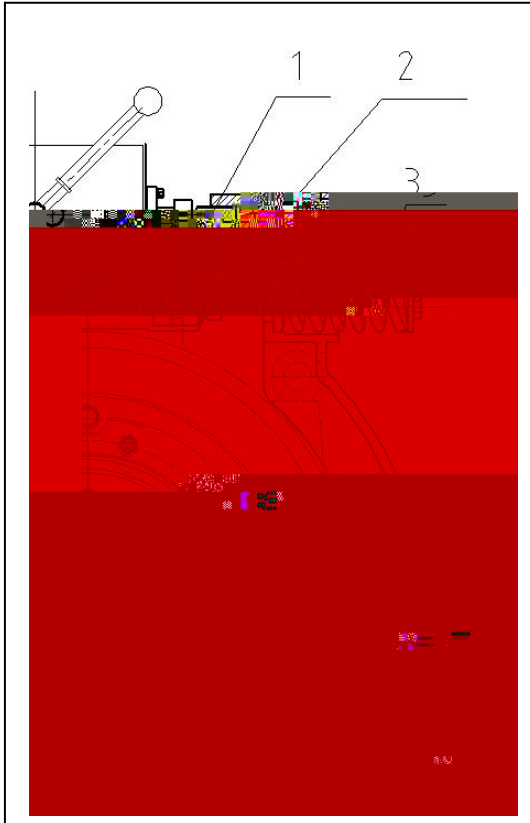
4.2.2



2×1.25

GB7588

4.2.3



A

B(B)



5

1

	1	1
	2	2
	3	3

1
2
3
4
5
6
7
1
2
1

1
2
3
4 4
5
6
7
1
2

80V DC
55V DC
110V DC
80V DC

21

